



# WILLE 465



The new Wille 465 model picks up from where its predecessor, the best-in-class, reliable Finnish player in real estate services, the Wille 455B, left off – even better than before. The new Stage 3B/ Tier 4 Final engine meets the latest emission requirements. The load sensing hydraulic system with variable displacement pump and proportional control makes the working even more comfortable. The electric inching and accelerator pedal make operating the work attachments significantly easier and more efficient. The extended wheelbase improves the machine's stability and tipping load, and the strong loader enables handling of larger masses than before.



## ENGINE

- Kohler KDI 2504 TCR, EU Off Road Stage 3B/Tier 4 final 4-cylinder turbo-charged Common rail diesel engine with intercooler
- DOC-catalyst
- Displacement 2482 cm<sup>3</sup>
- Output 55,4 kW (74,3 hp) 2300 rpm
- Max. torque 300 Nm/ 1500 rpm
- Fuel tank 55 l

## ELECTRIC SYSTEM

- Voltage 12 V
- Electric main switch
- Battery 105 Ah
- Start motor 2.0 kW
- Alternator 100 A

## TRANSMISSION

- Hydrostatic transmission
- Variable displacement pump
- Variable displacement motor
- Driving direction to the front and rear is changed electrically
- 1-speed reduction gear
- Driving speed/tractive force 0-40 kph/1,600 daN

## NOISE LEVEL

- External under LwA 101 dBA
- Inside cabin under LpA 76 dBA

## WEIGHT

- Own weight 3,420 kg
- Front axle weight 1,510 kg
- Rear axle weight 1,910 kg
- With standard bucket 3,955 kg

## STEERING SYSTEM

- Hydrostatic articulated steering
- Turning angle +/- 40°
- Angle of oscillation +/- 9°

## AXLES

- Automatic differential locks in the front
- Hydraulically assisted multi-disc brakes in oil-bath in the front
- Electro-hydraulic control of the parking brake with immobilizer

## OPERATING HYDRAULICS

- Load sensing hydraulic system with variable displacement, 80 lpm, 200 bar
- Gear pump 52 lpm., 200 bar
- Maximum flow 132 lpm, 200 bar
- Volume of hydraulic system about 70 l
- Hydraulic oil cooler

## LOADER

- Optional quick-coupler types: Kunta 500, Trima and Vila
- Hydraulic quick-coupler for work attachment
- Hydraulic self-level feature of the loader
- Automatic suspension for the loader, 5-10 kph
- Hydraulic pilot control
- Service support for loader-arms
- Loader-arm support for levelling work

## TYRES

- 305/70R16 (width of the machine 1655 mm)
- Lawn tyres 380/60-R15 (width of the machine 1,830 mm)

## STANDARD EQUIPMENT

- Motor hydraulics (max. flow 2,300 rpm)
- double-acting to the front 0 - 80 lpm
- single-acting to the front 52 lpm
- single-acting to the front 52-132 lpm
- single-acting to the rear 52 / 0 - 80 / 52 - 132 lpm
- Hydraulic circuit for 3rd cylinder, proportional control 0 - 52 lpm
- Hydraulic circuit for 4th cylinder, proportional control 0 - 52 lpm
- Double-acting hydraulics to the rear
- Electric inching and accelerator pedal
- Socket outlet of 12 V in the front and rear
- Beacon light with foldable shaft
- Radio/mp3 Bluetooth/AUX-in/USB/SD-Card
- Windscreen and rear window wiper and washer
- Rear mirrors with heating
- Low beam automation
- LED work lights in the front 2000/1800lm and rear 800/1400 lm, EMC -and E- certified
- Adjustment of steering wheel tilt
- Seat with heating
- 2-point safety belt
- Roof window
- Safety cabin ROPS (ISO 3471)
- Safety cabin FOPS (ISO 3449 1365 J)
- Engine heater
- Bottom armours in the front and rear
- Refill pump for hydraulic oil
- Towing hitch
- Reverse alarm , on/off selectable
- Brackets for work attachments on top of the engine compartment

## OPTIONAL EQUIPMENT

- Rear tilt (Kunta 500)
- Float position for rear tilt
- Hydraulic oil heater
- Central pressure lubrication
- Automatic air-conditioning
- Air-cushioned seat
- Readiness for cabin heater
- Brake valve for trailer
- Float position for loader
- Counter-weight 300 kg
- FOPS-roof (ISO 3449 11,600 J)
- Rear view camera
- Backup camera

## Wille work attachments:

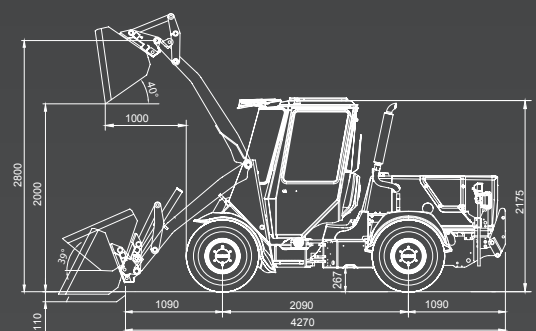
- Rotary brush 200
- Collecting sweeper 305
- Zoom plough 290
- Ice-plough
- Soil bucket 600 l
- Snow bucket 1,200 l
- High-tipping bucket 800 l
- Multi-function bucket 1,000 l
- Mechanical rear blade 180 l
- Rear sand spreader 370 l
- Disc gritter 700 l
- Leaf bucket 1,200 l
- Leaf collector 1,000 l
- High-pressure washer 1,000 l
- Fixed platform 300 l
- Platform with hydraulic tipping 300 l
- Access platform Wille-9
- Forklift forks



	FRONT FACE OF THE QUICK-COUPLER	BUCKET 600 L	FORKLIFT FORK with 500 mm DISTANCE TO CENTRE OF GRAVITY
Lifting force lower position, kN	24.7	23.0	19.5
Lifting force upper position, kN	11.6	10.3	9.5
Rated transport capacity, kg		795*	980* (even surface)
Tipping load, with straight/turned machine, kg	2,160/1810*	1940/1590*	1450/1230*
Break-out force of the bucket, kN		16.4	

\* with rear-tilt, without counter-weight. According to the ISO 8313 and EN 474-3 standards

Dimensions with 600 l bucket:  
Width 1655 mm  
Inner turn radius 2355 mm  
Outer turn radius 3750 mm







# THEREFORE WILLE!

**Wille is the most popular machine** on the market for the environmental management and maintenance of urban areas. It is designed to operate through all four seasons, especially winter, when maintenance operations are the most demanding and expensive. The articulated steering and location of the cabin in the front frame provide the operator with excellent working conditions.

**Wille is exceptionally strong** considering its size. The line-up comprises five models ranging from 2.0 to 6.6 tonnes. Compared with wheeled loaders in the same weight category, Wille's engine delivers about 60 % higher output. This power is mostly required to drive the hydraulic work attachments, and when carrying heavy loads on the road. Depending on the model, the travel speed is 36-40 kph.

**Wille is agile.** Wille is at its best when working in a confined, urban environment with high traffic density where the work must proceed quickly. Wille is equipped with a versatile hydraulic system and three connecting points for the work attachments: one in the front, one in the rear and the third one on top of the engine. Fewer driving passes means less disturbance of the surrounding environment!

One of **Wille's strengths** is its wide range of available work attachments. These are easy to procure and effortless to change. Their compatibility with the base unit is ideal, which means that the machine can be operated efficiently and safely all year round.

**Wille's sales and after-sales** operations are in reliable hands. Wille is a long-term investment with an exceptionally high second-hand value. Wille's high quality, capacity and productivity have helped it stay number one on the Nordic market for many years.





### HYDRAULICS

The machine's versatile and powerful operating hydraulics enable to use a wide range of optional work attachments.



### ARTICULATED STEERING

Thanks to the articulated steering, the front and rear frames follow the trajectory of the work attachment. Working is more efficient and safer even in a confined, urban environment.



### MAINTENANCE

The engine bonnet is easy to dismount and the serviceable parts are easy to access.



### LOW REAR FRAME

Thanks to the low rear frame, visibility to the rear is excellent. Work attachments may be hitched on top of the engine compartment.



### CABIN

The cabin is spacious, user-friendly, and ergonomically well laid out. The noise level is agreeably low. In winter, the cabin is warm, and its windows remain clear.



### VISIBILITY

The driver enjoys an unobstructed view of the work attachment in the front. Keeping an eye on the surroundings through the side and rear windows is also easy.



### MULTI-PURPOSE LEVER

Using the multi-purpose lever, the operator can control the movements of both the Wille and the work attachments. For example, it is possible to manoeuvre both wings of the articulated plough simultaneously.



### WORK ATTACHMENTS

Wille benefits from an extensive range of proprietary work attachments. These work attachments are designed for efficient and safe year-round use.