



WILLE **6750** **6750**

YOUR YEAR-ROUND WORK MACHINE

www.willemachines.com



WILLE 675Δ 875Δ

YOUR YEAR-ROUND WORK MACHINE

The delta series combines versatile use, quality and intelligence. The design of the series emphasized features that improve driver comfort and work efficiency to ensure consistent work quality and help the driver focus on what matters.

Unbeatable in its weight class, the 675Δ is nimble even in tight locations and safe in busy areas thanks to the features that help the driver stay aware of the surroundings. The Wille 875Δ is a gentle giant of environmental management, boasting a spacious and quiet cab that ensures the driver's comfort even in heavy duty tasks. The 875Δ is the largest Wille machine ever made, but its movements are very smooth.

Thanks to the articulated steering, even the larg-

er Wille machines are agile, and the smart driving modes improve the handling even further. The cab is situated on the frame, which is why the machine sits low and the cab follows the machine. Work attachments can be installed on the front loader, hood and rear tilt mechanism for handling multiple work tasks at once. The versatile attachments ensure that the machine can be used through the year. In contrast to wheel loaders, Wille's excellent weight distribution keeps the machine stable even when using the rear tilt. The 50 km/h top speed is at the top of the weight class!

Among the most important technical updates is the electrically controlled loader valve and drive power train. The driver can adjust the loader's movement speeds and save the desired values for different work attachments. With the new precise cruise control, you can handle many work tasks easily and reliably.

Driver-centric approach

The cab has been updated, and it is now much more spacious and quiet than before. The glass door and the sloping windshield provide excellent visibility of the surrounding area below and up all the way to the maximum height of the arms.

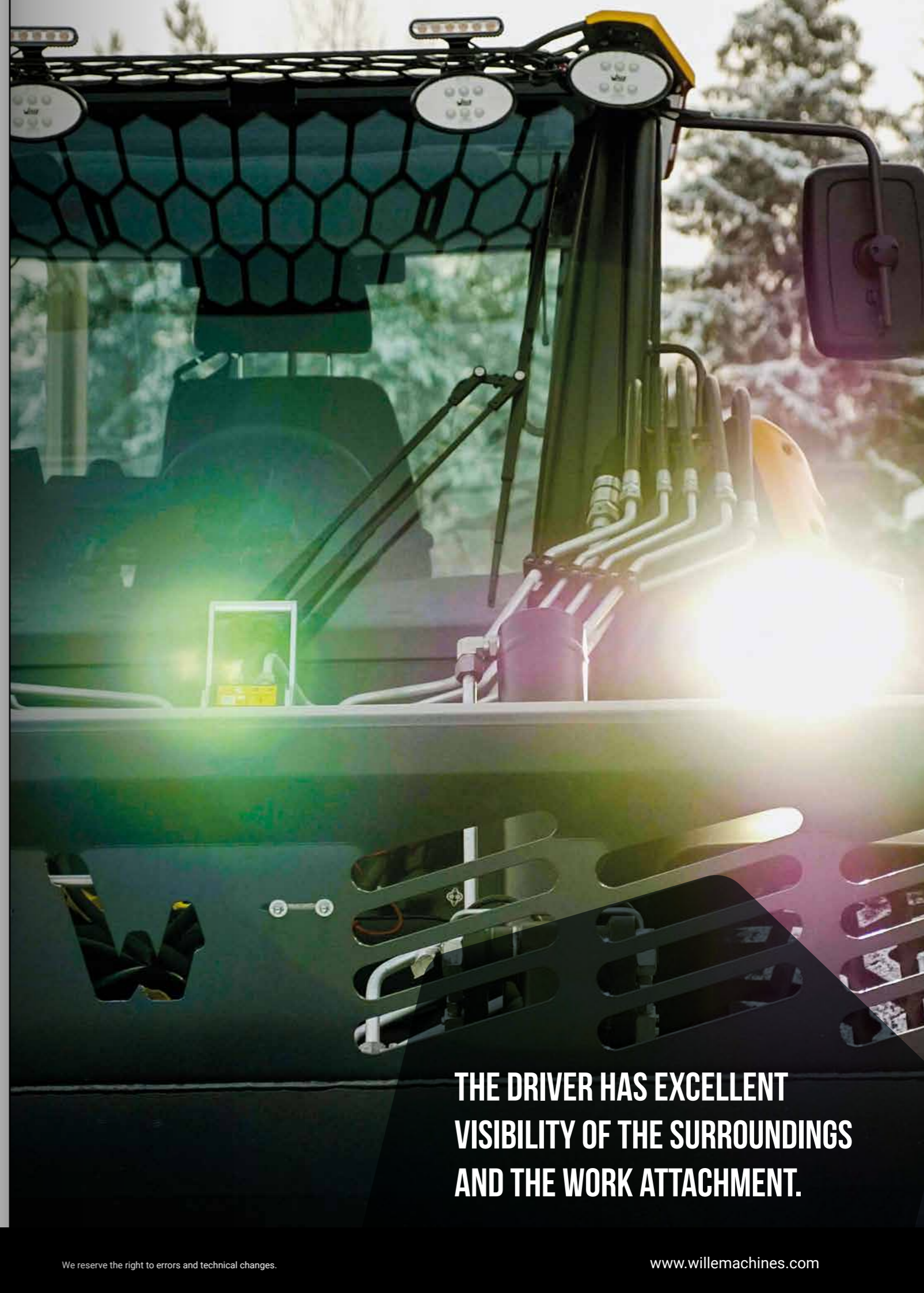
The low dashboard improves visibility of the work attachment and provides more knee room for the driver. Thanks to the steering wheel with

**WILLE IS ALSO AVAILABLE
IN TRACTOR VERSION**



As an option, the Wille 675Δ and 875Δ are also available with EU tractor type approval.

Contact our sales personnel for more information!



**THE DRIVER HAS EXCELLENT
VISIBILITY OF THE SURROUNDINGS
AND THE WORK ATTACHMENT.**



THANKS TO THE USER INTERFACE, THE DRIVER CAN SEE THE OUTPUT OF THE MOTOR HYDRAULICS IN REAL TIME AND PROGRAM IT TO BE OPTIMAL FOR EACH WORK ATTACHMENT.



adjustable depth and height, every driver can easily find an ergonomic driving position. The cab is also impeccably quiet and the comfort is further improved by a wide range of accessories, such as a heated windshield and joystick control.

In the Delta series cab, all controls are at your fingertips and can be programmed to your liking. The intuitive user interface is operated with a navigation wheel and quick buttons, which have been positioned to the right of the drive to make work easier and more efficient. There are 30 programmable work attachment and driver profiles, which ensure that the machine and attachments are used correctly and cost efficiently. The user interface also includes safety functions, such as misuse warnings and maintenance need reminders.

The driver can adjust the functionalities of the work attachment and hydraulics and program the joystick functions. It is also possible to create personal work profiles to increase work efficiency.

The machine features an automatic bucket shape function.

Maintenance

Every Wille machine has been manufactured with great care and professional pride, but this is not where the work ends. The machines require maintenance to ensure consistent performance. We have strived to make it easier to inspect the Wille machines by collecting all components behind one maintenance hatch. It is also easy to inspect the

engine room thanks to the fully removable hood. The hood can be opened even when work attachments are in place.

The user interface provides the driver with a constant stream of information that helps prevent misuse and ensure the long life of the work attachments (and that the regular maintenance is carried out). The user interface reminds the driver of regular maintenance.

Maintenance agreements are also available for the Wille machines to make sure that you always have a well-maintained and functional machine at your disposal. The maintenance is always conducted according to the factory's instructions, using original or corresponding parts and oils. Maximize your machine's performance and resale value with a maintenance agreement. You can also purchase the W-Guard extended warranty for your Wille if you have a maintenance agreement for the entire warranty period.

You can easily take all the relevant information and manuals with you in the Wille App. The free app includes the My Wille section in which you can add your own machine with the serial number and view your machine's documents, such as the operating manual, maintenance manual and spare parts list. You can also add your own maintenance location in the app, learn about machines and work attachments in production, and read Wille news.

The Wille smartphone app is available for download in Google Play and App Store.

FIRST-CLASS TECHNOLOGY

The Wille 675Δ and 875Δ have a Stage V 105kW Kohler diesel engine with particulate filter, catalyst and urea system without exhaust gas recirculation. The fuel used can be 100% HVO biodiesel, which significantly decreases the carbon footprint.



The machine comes as standard with the Automatic Eco Drive feature, which reduces fuel consumption and noise. It lowers engine speed automatically as needed, saving fuel and reducing emissions.



Smart Drive is a more ergonomic alternative to a creeping pedal. It uses software to convert the accelerator into a drive pedal: you can use the hand throttle to set the engine speed and only use the pedal to adjust the driving speed.



The precise Smart Cruiser cruise control optimised for work use operates using logic similar to a car's cruise control. It makes, for example, ploughing and brushing work easier and makes changing work locations more comfortable.



The Smart Flow feature adjusts the output of the motor hydraulics automatically based on machine speed. For example, it keeps the dispensing rate even regardless of varying driving speed during gritting.



With the Smart Lube system, which is available as an option, the driver can select the lubrication output of the central lubrication system from four preset settings. Selecting the correct supply rate prevents excessive lubrication.



With the Heavy Duty driving mode, you can make use of all the machine's pulling power, for example when loading and ploughing, and handle even heavy loads nimbly and effortlessly. Due to the optimal load Heavy Duty driving mode saves power transmission parts in the long run.

ACCESSORIES



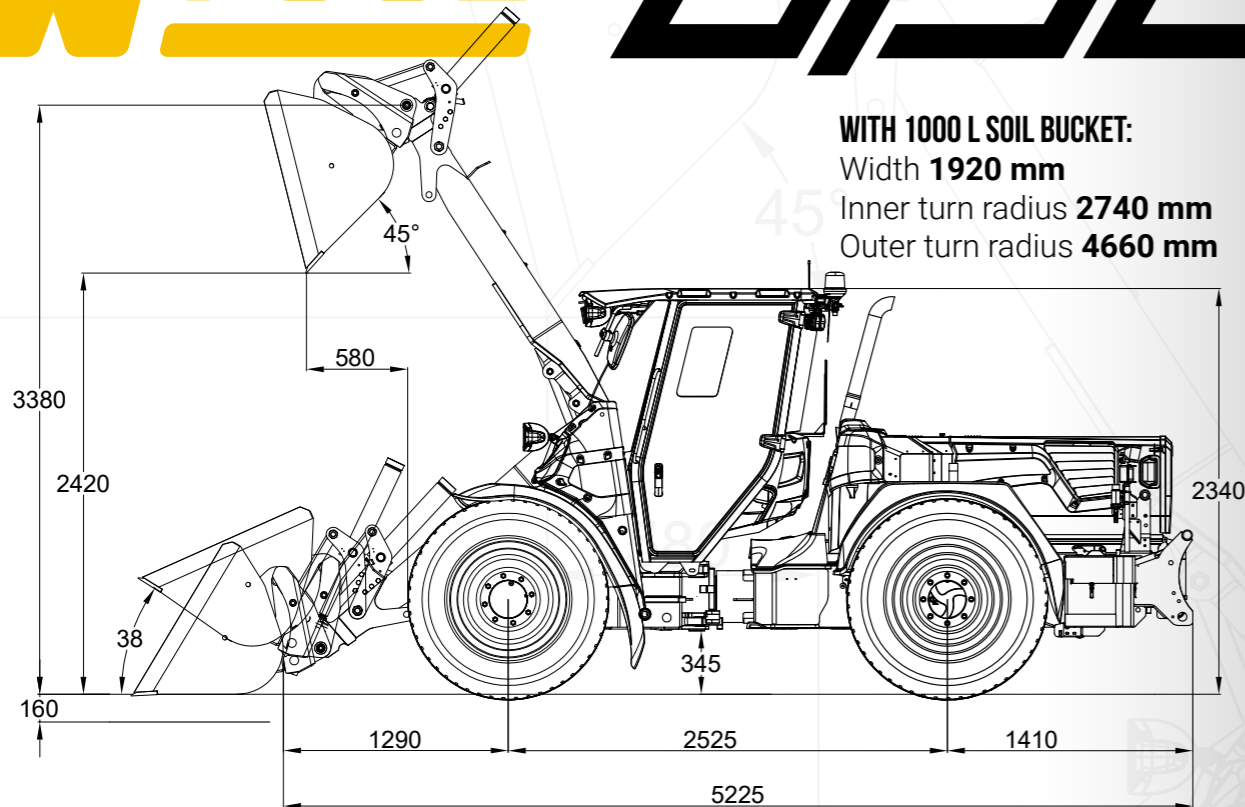
- 1. Roller blind
- 2. Waist beacons
- 3. Rear view camera
- 4. 8 pcs LED warning lights
- 5. Special colour
- 6. Armor light
- 7. Storage box for cab
- 8. Double headlights

Additional options include: heated windscreen, additional hydraulics, Eberspächer cab heater, hydraulic rear lift and cup holder.



WILLE

650



WITH 1000 L SOIL BUCKET:
 Width **1920 mm**
 Inner turn radius **2740 mm**
 Outer turn radius **4660 mm**

ENGINE

- Kohler KDI 3404 TCR-SCR EU Off Road Stage V
- 4 cylinder turbo charged and intercooled diesel engine
- DOC, DPF and SCR (not EGR)
- Common Rail fuel system
- Engine displacement 3359 cm³
- Output 105 kW (143 hv)/2200 r/min
- Max. torque 650 Nm/1400 r/min
- Fuel tank 100 l
- AdBlue tank 16 l

ELECTRIC SYSTEM

- Voltage 12 V
- Electric main switch
- Battery 180 Ah
- Starter motor 3,2 kW
- Charger 120 A

TRANSMISSION

- Hydrostatic, electronically controlled
 - Variable displacement pump
 - Variable displacement motor
- Electrohydraulic steering in both speed ranges
- Driving speed/tractive force
 - 0-20 km/h/5300 daN
 - 0-50 km/h/2250 daN

NOISE LEVEL

- Outside cabin under LwA 103 dBA (ISO 6395:2008)
- Inside cabin under Lpa 70 dBA (ISO 6396:2008)

WEIGHTS

- Total 6100/6500* kg
- Front axle weight 2330 kg
- Rear axle weight 3770/4170* kg
- *Liquid-filled rear tires

STEERING SYSTEM

- Hydrostatic articulated frame steering
- Turn angle +/- 39°
- Tilt angle +/- 12,5°

AXLES

- Automatic friction locks in the front and the rear
- Hydraulically assisted multi-disc brakes in oil-bath in the front and the rear
- Automatic parking brake

WORK HYDRAULICS

- Load-detecting variable displacement pump 160 l/min
- Gear pump 50 l/min
- Engine hydraulics maximum output 210 l/min
- Maximum working pressure 240 bar
- Volume of hydraulic system 150 l
- Hydraulic oil cooler

FRONT LOADER

- Quick coupler options: Kunta500, Vila, Volvo BM ja Trima
- Hydraulic work device quick locking
- Hydraulic stabilizer system
- Automatic loader suspension 4-10 km/h
- Electric pre-steering
- Arm maintenance support
- Arm support for bulldozing

TYRES

- 420/65R24 (width of the machine 1920 mm)
- 360/80R20 (width of the machine 1750 mm)

STANDARD EQUIPMENT

- Engine hydraulics (max output 2200 rpm)
 - two-way front 0-160 l/min
 - one-way front 50 l/min
 - one-way front 50-210 l/min
 - one-way rear 50/0-160/50-210 l/min
- Output of the engine hydraulics is shown on the display
- 3rd cylinder hydraulics, propo controlled 0-90 l/min
- 4rd cylinder hydraulics, propo controlled 0-90 l/min
- Dual-acting cylinder hydraulics rear
- Electric inching and accelerator pedal
- Socket outlet of 12 V in the front and the rear
- Lowerable LED warning beacon
- 7" display
- Radio/Bluetooth/AUX-in/USB
- Windscreen and rear window wiper and washer
- Heated rear-view mirrors
- Automatic headlights
- LED work lights in the front and the rear
- Height and depth-adjustable steering wheel
- Seat with heating
- 2-point seatbelt
- Additional rear lights in upper corners of cab
- Programmable work device and driver profiles
- 4 different driving modes: Eco On, Eco Off, Heavy Duty and Smart Drive
- Smart Cruiser cruise control
- Speed adjusted motor hydraulics
- Safety cabin ROPS (ISO 3471)
- Safety cabin FOPS (ISO 3449 1365 J)
- Engine heater
- Hydraulic oil heater
- Bottom plates in the front and the rear
- Tow hitch
- Reverse alarm (can be connected on/off by operator)
- Brackets for work attachments on top of the engine compartment

OPTIONAL EQUIPMENT

- Hydraulic rear lift with tow hitch (kunta500, Vila, Volvo BM and Trima)
 - lifting force to upper position 34 kN
 - downward force with hydraulic rear blade 17,7 kN
 - floating position
- 5rd cylinder hydraulics
- 6rd cylinder hydraulics
- Smart Lube central lubrication
- Air-conditioning, automatic
- Air-cushioned seat, 3-point seatbelt
- Readiness for cabin heater
- Storage box for cab
- Rear view camera
- 2 + 2 LED additional work lights
- 8 pcs LED warning lights
- 4 pcs LED waist beacons
- Trailer brake valve
- Front armor light
- Headlights to the cabin roof line or double headlights
- Multifaster
- Raised cabin 80 mm
- Special color
- Programmable joystick and fast steering
- Immobiliser
- Eberspächer fuel heater
- Anti-Theft System
- Roller blind
- Accessory bar
- Cup holder
- Heated windscreen

WILLE OPTIM WORK ATTACHMENTS

- Rotary brush 240, 270, 320
- Collecting sweeper 650
- Soil bucket 1000 l
- Snow bucket 1900 l
- Multi-function bucket 1500 l
- Leaf bucket 1900 l
- Hydraulic rear blade 2500
- Rear sand spreader 550 l
- High-pressure washer 1500 l
- Forklift fork
- Access platform Wille 9

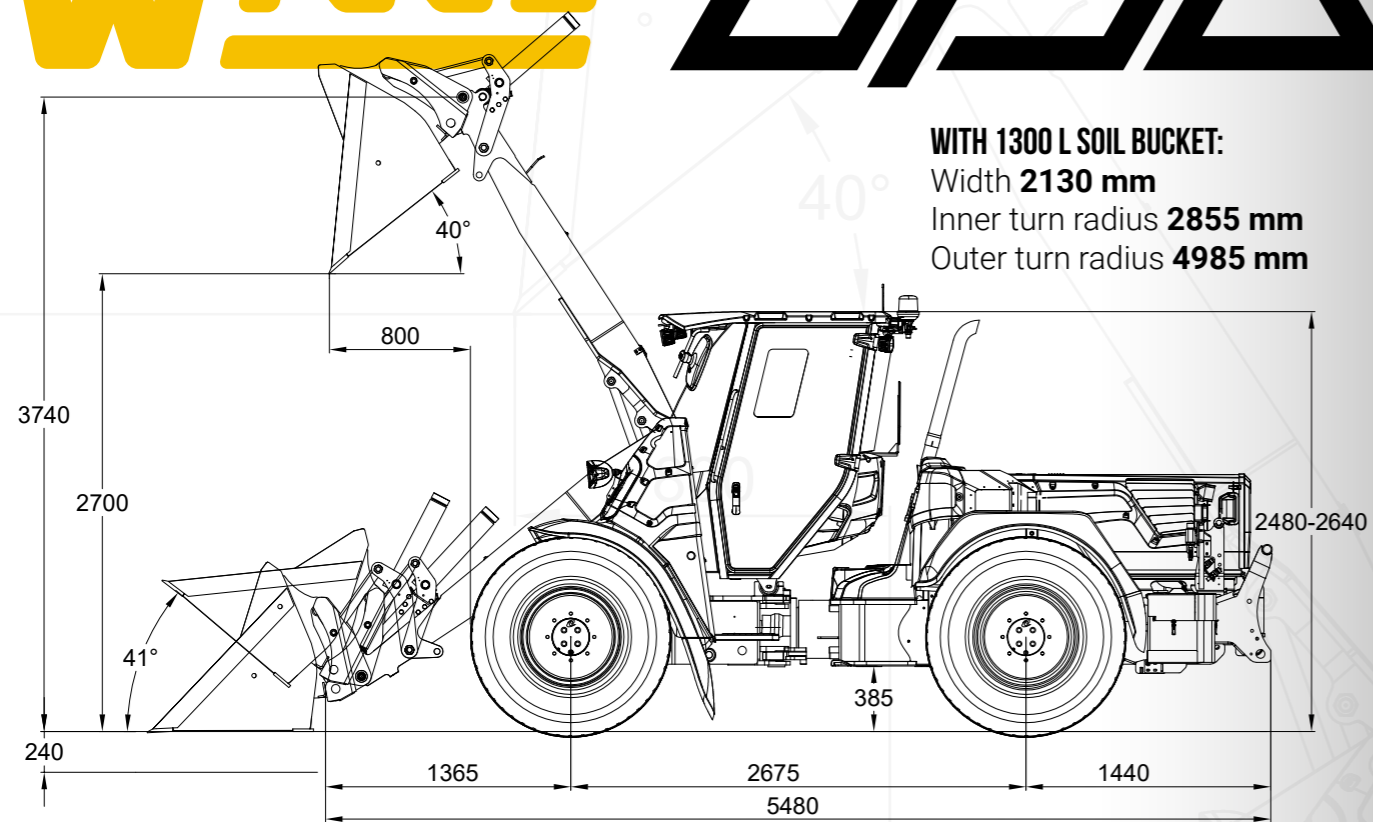
	Front face of the quick coupler	Soil bucket 1000 L	Forklift fork with 500 mm distance to center of gravity
Hydraulic lifting force, bottom position kN	50,0	45,2	42,1
Hydraulic lifting force, top position kN	34,7	27,7	26,0
Rated transport capacity kg		1925* 2155**	2365 (even surface*) 2640 (even surface**)
Tipping load with straight/turned machine kg	5050/4290*	4590/3850*	3510/2960*
	5610/4760**	5140/4310**	3920/3300**
Break-out force of the bucket kN		46,2	

*With NOKIAN Tyres 420/65R24 and rear lift without counterweight

**With liquid-filled rear tires and rear lift

WILLE

6750



WITH 1300 L SOIL BUCKET:
 Width **2130 mm**
 Inner turn radius **2855 mm**
 Outer turn radius **4985 mm**

ENGINE

- Kohler KDI 3404 TCR-SCR EU Off Road Stage V
- 4 cylinder turbo charged and intercooled diesel engine
- DOC, DPF and SCR (not EGR)
- Common Rail fuel system
- Engine displacement 3359 cm³
- Output 105 kW (143 hp)/2200 r/min
- Max. torque 650 Nm/1400 r/min
- Fuel tank 100 l
- AdBlue tank 16 l

ELECTRIC SYSTEM

- Voltage 12 V
- Electric main switch
- Battery 180 Ah
- Starter motor 3,2 kW
- Charger 120 A

TRANSMISSION

- Hydrostatic, electronically controlled
- Variable displacement pump
- Variable displacement motor
- Electrohydraulic steering in both speed ranges
- Driving speed/tractive force
- 0-20 km/h/5100 daN
- 0-50 km/h/2250 daN

NOISE LEVEL

- Outside cabin under LwA 103 dBA (ISO 6395:2008)
- Inside cabin under Lpa 69 dBA (ISO 6396:2008)

WEIGHTS

- Total 7070/7570* kg
- Front axle weight 2880 kg
- Rear axle weight 4190/4690* kg
- *Liquid-filled rear tires

STEERING SYSTEM

- Hydrostatic articulated frame steering
- Turn angle +/- 39°
- Tilt angle +/- 12,5°

AXLES

- Automatic friction locks in the front and the rear
- Hydraulically assisted multi-disc brakes in oil-bath in the front and the rear
- Automatic parking brake

WORK HYDRAULICS

- Load-detecting variable displacement pump 160 l/min
- Gear pump 50 l/min
- Engine hydraulics maximum output 210 l/min
- Maximum working pressure 240 bar
- Volume of hydraulic system 150 l
- Hydraulic oil cooler

FRONT LOADER

- Quick coupler options: Kunta500, Volvo BM
- Hydraulic work device quick locking
- Hydraulic stabilizer system
- Automatic loader suspension 4-10 km/h
- Electric pre-steering
- Arm maintenance support
- Arm support for bulldozing

TYRES

- 460/65R24 (width of the machine 2130 mm)
- 500/60R22,5 (width of the machine 2150 mm)

STANDARD EQUIPMENT

- Engine hydraulics (max output 2200 rpm)
 - two-way front 0-160 l/min
 - one-way front 50 l/min
 - one-way front 50-210 l/min
 - one-way rear 50/0-160/50-210 l/min
- Output of the engine hydraulics is shown on the display
- 3rd cylinder hydraulics, propo controlled 0-90 l/min
- 4rd cylinder hydraulics, propo controlled 0-90 l/min
- Double-acting cylinder hydraulics to the rear
- Electric inching and accelerator pedal
- Socket outlet of 12 V in the front and the rear
- Lowerable LED warning beacon
- 7" display
- Radio/Bluetooth/AUX-in/USB
- Windscreen and rear window wiper and washer
- Heated rear-view mirrors
- Automatic headlights
- LED work lights in the front and the rear
- Height and depth-adjustable steering wheel
- Seat with heating
- 2-point seatbelt
- Additional rear lights in upper corners of cab
- Programmable work device and driver profiles
- 4 different driving modes: Eco On, Eco Off, Heavy Duty and Smart Drive
- Smart Cruiser cruise control
- Speed adjusted motor hydraulics
- Safety cabin ROPS (ISO 3471)
- Safety cabin FOPS (ISO 3449 1365 J)
- Engine heater
- Hydraulic oil heater
- Bottom armours in the front and the rear
- Tow hitch
- Reverse alarm (can be connected on/off by operator)
- Brackets for work attachments on top of the engine compartment

OPTIONAL EQUIPMENT

- Hydraulic rear lift with tow hitch (kunta500, Volvo BM)
 - lifting force to upper position 34 kN
 - downward force with hydraulic rear blade 17,7 kN
 - floating position
- 5rd cylinder hydraulics
- 6rd cylinder hydraulics
- Smart Lube central lubrication
- Air-conditioning, automatic
- Air-cushioned seat, 3-point seatbelt
- Readiness for cabin heater
- Storage box for cab
- Rear view camera
- 2 + 2 LED additional work lights
- 8 pcs LED warning lights
- 4 pcs LED waist beacons
- Trailer brake valve
- Front armor light
- Headlights to the cabin roof line or double headlights
- Multifaster
- Raised cabin 160 mm
- Special color
- Programmable joystick and fast steering
- Immobiliser
- Eberspächer fuel heater
- Anti-Theft System
- Roller blind
- Accessory bar
- Cup holder
- Heated windscreen

WILLE OPTIM WORK ATTACHMENTS

- Rotary brush 240, 270, 320
- Collecting sweeper 650
- Soil bucket 1000 l
- Snow bucket 2500 l
- Multi-function bucket 2000 l
- Leaf bucket 1900 l
- Hydraulic rear blade 2500
- Rear sand spreader 700 l
- High-pressure washer 1500 l
- Hydraulic platform 800 l
- Forklift fork
- Access platform Wille 9

	Front face of the quick coupler	Soil bucket 1300 L	Forklift fork with 500 mm distance to center of gravity
Hydraulic lifting force, bottom position kN	71,4	67,0	56,7
Hydraulic lifting force, top position kN	46,1	43,2	36,1
Rated transport capacity kg		2135 * 2350 **	2780 (even surface*) 3120 (even surface**)
Tipping load with straight/turned machine kg	5540/4910 *	4900/4270 *	4070/3480 *
Break-out force of the bucket kN	6040/5230 **	5400/4700 **	4570/3900 **

*With NOKIAN Tyres 420/65R24 and rear lift without counterweight

**With liquid-filled rear tires and rear lift

10 REASONS TO CHOOSE WILLE

1. Efficient year-round operation
2. Quiet, spacious and ergonomic cab
3. 4 different driving modes to choose from: Eco, Eco off, Heavy and Smart
4. Versatile and powerful hydraulics
5. Clear and intuitive user interface
6. Modifiable to suit every application and driver
7. Easy maintenance
8. Multi-function Smart Cruiser cruise control
9. Functions to assist the driver
10. Appearance can be modified to match your branding

We reserve the right to errors and technical changes.

READ MORE:
WWW.WILLEMACHINES.COM

WILLE

WILLE DEALERS NEAR YOU:

>> www.willemachines.com

