



WILLE 375A

AMAZINGLY VERSATILE AND AGILE

www.willemachines.com



WILLE 375Δ

AMAZINGLY VERSATILE AND AGILE

WILLE'S BENEFITS COMPARED TO A TRADITIONAL LOADER

- ▶ Wille loaders are versatile and the wide variety of accessories ensures that they can be used through all four seasons
- ▶ Wille's transport speed makes moving between locations a breeze
- ▶ Wille Wille can also fit into cramped spaces, such as under low bridges and in underpasses
- ▶ Wille's cab has great visibility in all directions, especially around the attachments and their working area
- ▶ Wille provides excellent ergonomics, and the cabin is easy to enter and exit

A front loader with extensive outreach, hydraulic flow sufficient for multiple work attachments and a wide range of optional equipment available are features that make the Wille 375Δ amazingly versatile: with one single machine, you can achieve more than with a mini-tractor or a wheel loader of the same size.

The front loader included as standard ensures that you have the reach to lift loads up high. Thanks to

the machine's powerful hydraulic system, you can use a variety of attachments simultaneously. This makes work efficient and reduces time and effort spent moving the loader between locations. The range of compatible attachments is wide, and suitable Wille Optim attachments that have been optimized for Wille loaders are available for every season.

This agile machine intended for maintaining street and green areas features the Delta series smart



WILLE'S BENEFITS COMPARED TO A MINI-TRACTOR:

- ▶ Wille's articulated steering makes it an agile and versatile workhorse for all seasons
- ▶ Thanks to the ergonomics, visibility from the cab is great and the attachment and work areas can be easily monitored
- ▶ Wille machines come with a front loader integrated into the frame structure as standard.

functions, which improve usability. The clear display for hydraulic functions and the motor hydraulics that are adjusted according to driving speed make the attachments easy to use in all work phases.

Working with an access platform is safe and easy: the machine prevents driving automatically when the platform is in operation. The extra rear lights in the top rear corners increase safety and comfort when using large attachments.

WILLE IS ALSO AVAILABLE IN TRACTOR VERSION



As an option, the Wille 375Δ is also available with EU tractor type approval.

Contact our sales personnel for more information!

FIRST-RATE TECHNOLOGY

The Wille 375Δ model now makes using attachments easier than ever: the display shows how the output of the hydraulic pumps is routed to the various attachments. The clear display also indicates any problems and malfunctions.

AUTOMATIC ECO DRIVE

The machine comes as standard with the Automatic Eco Drive feature, which reduces fuel consumption and noise. It lowers engine speed automatically as needed, saving fuel and reducing emissions.

SMART DRIVE

Smart Drive is a more ergonomic alternative to a creeping pedal. It uses software to convert the accelerator into a drive pedal: you can use the hand throttle to set the engine speed and only use the pedal to adjust the driving speed.

SMART FLOW

The Smart Flow feature adjust the output of the motor hydraulics automatically based on machine speed. For example, it keeps the dispensing rate even regardless of varying driving speed during gritting.

SMART LUBE

With the Smart Lube system, which is available as an option, the driver can select the lubrication output of the central lubrication system from four preset settings. Selecting the correct supply rate prevents excessive lubrication.

The Wille 375Δ features Stage V emission class 42 kW Kohler diesel motor. It is also possible to use 100% HVO biodiesel as the fuel, thereby significantly reducing the carbon footprint.

The Wille Anti-Theft System, which is available as an option, provides Wille owners and drivers with security by preventing unauthorized ignition.

ACCESSORIES 375Δ

1. Rear tilt
2. Rear view camera
3. Multifaster
4. LED warning lights
5. Special color - the cladding color can be selected from an RAL color chart to match the customer's branding.

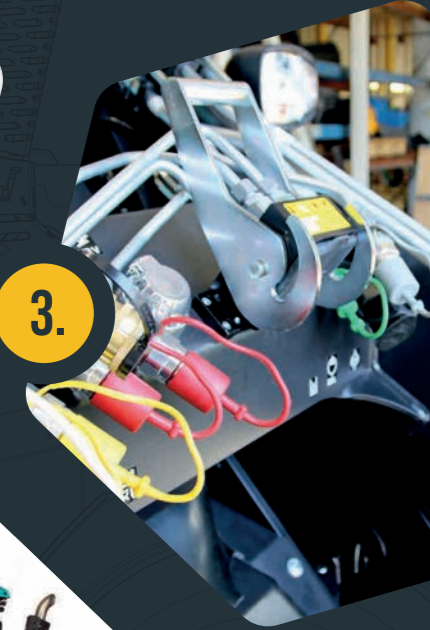
Other accessories include air conditioning, ignition prevention, air-cushioned seat, LED headlights and additional work lights.



1.



2.



3.

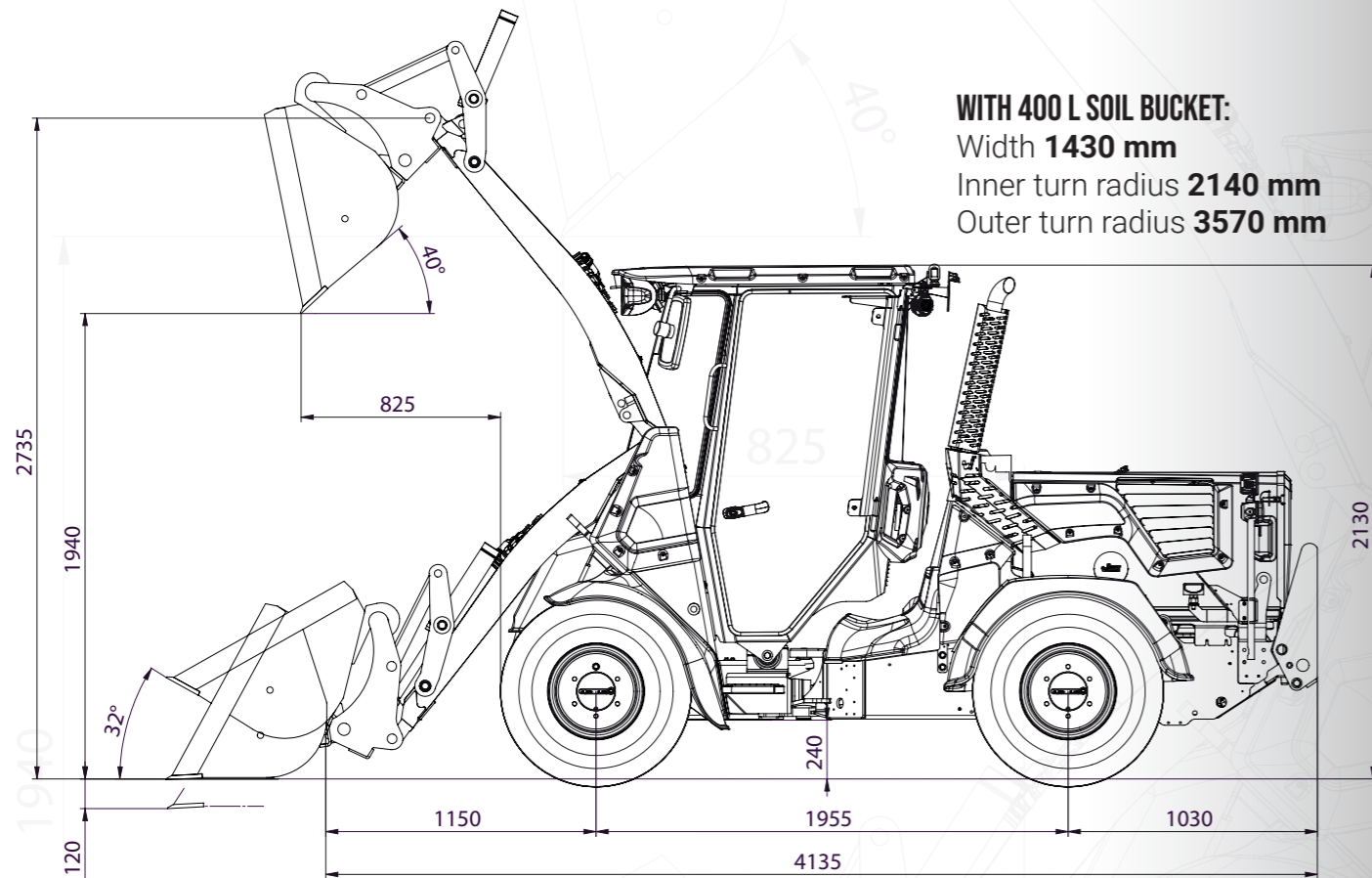


4.



5.

WILLE 375Δ



WITH 400 L SOIL BUCKET:
 Width **1430 mm**
 Inner turn radius **2140 mm**
 Outer turn radius **3570 mm**

ENGINE

- Kohler KDI1903TCR EU Off Road Stage 5
- 3 cylinder turbo charged and intercooled diesel engine
- DOC and DPF
- Common Rail fuel system
- Displacement 1861 cm³
- Output 42 kW (56 hp)/2600 rpm
- Max. torque 225 Nm/1500 rpm
- Fuel tank 50 l

ELECTRIC SYSTEM

- Voltage 12 V
- Electric main switch
- Battery 100 Ah
- Start motor 2.2 kW
- Alternator 100 A

TRANSMISSION

- Hydrostatic transmission
 - Variable displacement pump
 - Variable displacement motor
- Driving direction to the front and rear is changed electrically

- 1-nopeuksinen alennusvaihte
- Driving speed/tractive force 0–38 km/h/1500 daN

NOISE LEVEL

- Outside cabin under LwA 101 dBA (ISO 6395:2008)
- Inside cabin under LpA 72 dBA (ISO 6396:2008)

WEIGHT

- Own weight 2960 kg
- Front axle weight 1330 kg
- Rear axle weight 1630 kg

STEERING SYSTEM

- Hydrostatic articulated steering
- Turning angle +/- 39°
- Angle of oscillation +/- 7°

AXLES

- Automatic differential locks in the front
- Hydraulically assisted multi-disc brakes in oil-bath in the front
- Electrohydraulic parking brake control

OPERATING HYDRAULICS

- Gear pump 55 l/min, 200 bar
- Gear pump 35 l/min, 200 bar
- Gear pump 20 l/min, 200 bar
- Volume of hydraulic system about 60 l
- Hydraulic oil cooler

FRONT HITCH

- Quick coupler options: Kunta 500, Vila and Trima
- Mechanic quick-coupler for work attachment
- Hydraulic stabilizer system
- Automatic loader suspension 5-10 km/h
- Hydraulic suspension
- Hydraulic pilot control
- Arm maintenance support
- Arm support for bulldozing

TYRES

- 32x11,5–15 (width of the machine 1430 mm)
- With lawn tyres 31x15,5–15 (width of the machine 1520 mm)

STANDARD EQUIPMENT

- Motor hydraulic pumps (max flow 2600 rpm)
 - two-way forward 0-55 l/min
 - single-acting to the front 110 l/min
 - single-acting to the rear 110 l/min
- Hydraulic circuit for 3rd cylinder
- Hydraulic circuit for 4th cylinder
- Double-acting cylinder hydraulics to the rear
- Electric inching and accelerator pedal
- Electrical stepless hand throttle
- High-pressure water hose
- Headlight automation
- Motor hydraulics output adjusted according to driving speed
- Motor hydraulics output displayed on screen
- Additional rear lights at the top corners of the cab
- Flow control valve for motor hydraulics with electric control 0-55 l/min
- Socket outlet of 12 V in the front and rear
- Cab features a beacon light with foldable shaft
- TFT display
- Radio/Bluetooth/AUX-in/USB
- Windscreen and rear window wiper and washer
- Rear mirrors with heating
- Led work lights in the front and rear
- Adjustment of steering wheel tilt
- Seat with heating
- 2-point safety belt
- Sun roof
- Safety cabin ROPS (ISO 3471)
- Safety cabin FOPS (ISO 3449 1365 J)

- Engine heater
- Bottom armours in the front and rear
- Towing hitch
- Reverse alarm (can be connected on/off by operator)
- Immobiliser is active when the parking brake is engaged
- Brackets for work attachments on top of the engine compartment

OPTIONAL EQUIPMENT

- Rear tilt (Kunta 500, Vila ja Trima)
- Float position of rear tilt
- Smart Lube central lubrication
- Extra cooler for hydraulic oil
- Hydraulic oil heater
- LED headlights
- Anti-Theft System
- 8 LED warning lights
- Air-conditioning
- Air-cushioned seat
- Readiness for cabin heater
- Rear view camera
- Special color
- 2 + 2 LED additional work lights
- Multifaster
- Left-side armrest
- LED warning lights for the machine's rear light posts
- Shortwave radio
- Breathalyzer lock
- Smartphone holder
- Battery charger kit
- Lowered cab
- Equipped for the Zoom plow
- Equipped for the Wille 9 access platform
- Equipped for the horizontal cutter
- EU tractor type approval
- Tire sets (lawn tire)

WILLE WORK ATTACHMENTS:

- Rotary brush 170
- Collecting sweeper 205
- Ice-plough
- Soil bucket 400 l
- Snow bucket 800 l
- High-tipping bucket 550 l
- Multi-function bucket 750 l
- Rear sand spreader 250 l
- Leaf collector 900 l
- High-pressure washer 550 l
- Sprinkling tank 550 l
- Fixed platform 230 l
- Access platform Wille 9

	Front face of the quick coupler	Soil bucket 400 L	Forklift fork with 500 mm distance to center of gravity
Hydraulic lifting force, bottom position kN	17,7	16,2	14,8
Hydraulic lifting force, top position kN	7,4	5,8	5,1
Rated transport capacity kg		625*	850* (even surface)
Tipping load with straight/turned machine kg	1720/1510*	1500/1250*	1250/1070*
Break-out force of the bucket kN		10,0	

*With rear tilt, without counterweight. According to standards ISO 8313 and EN 474-3.

10 REASONS TO CHOOSE WILLE

1. Efficient year-round operation
2. Versatile and powerful hydraulics
3. Quiet, spacious and ergonomic cab
4. Modifiable to suit every application and driver
5. Clear and intuitive user interface
6. Functions to assist the driver
7. Appearance can be modified to match your branding
8. Compact size
9. Fast travel between locations
10. Easy maintenance

We reserve the right to errors and technical changes.

READ MORE:
WWW.WILLEMACHINES.COM

WILLE

WILLE DEALERS NEAR YOU:

>> www.willemachines.com

